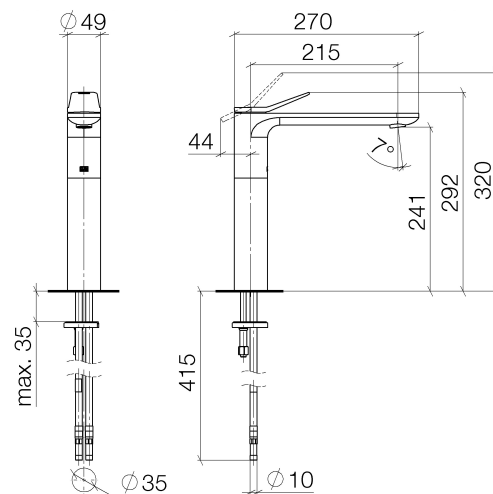




Product specifications

- **215 mm projection**
- fixed spout
- circular, air-enriched flow
- height of mixer 292 mm
- height up to aerator 241 mm
- hole diameter 35 mm
- 2x screw-in M 8 x 1 pressure hose, leak-tested
- **max. flow 5.3 l/min**
- lead-free

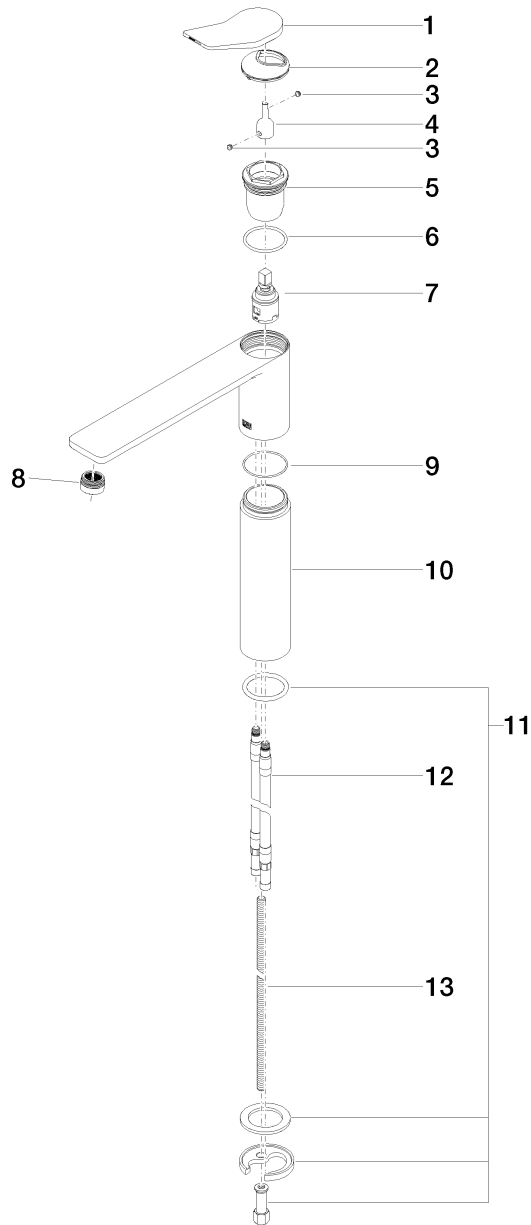
for use on counter-top bowls



Surfaces

- chrome 33537845-00
- platinum matt 33537845-06

Exploded assembly drawing



Order quantity

No.	Article number	Name	Installation quantity
1	092084020ff	handle	1
2	09283003490	cover	1
3	09311106390	pin	2
4	09290611790	extension	1
5	09231012390	nut	1
6	09141003890	seal	1
7	9015050420090	cartridge	1
8	90230116101ff	aerator	1
9	09141010890	seal	1
10	092822306ff	sleeve	1
11	0430110387590	fixing set	1
12	0430040980090	hose	2
13	09311109590	pin	1

Flow rate chart

