

# LISA 22 BLACK

## ELECTRIC



NEW



### ELECTRICAL ONLY:

With **digital** thermostat

### Material:

- Vertical collectors in mild steel semi oval 30x40 mm.
- Horizontal heating elements in painted mild steel  $\varnothing$  22 mm.
- Heat transfer fluid.

### Fixing kit:

The fixing kit is in compliance with norm VDI 6036 that guarantees maximum resistance, security and stability of the towel rail. Each kit includes brackets, hexagonal tool, plugs and screws suitable for use on either compact or hollow brick walls. For a correct assembly always refer to the user manual supplied.



### ACCESSORIES

For Accessories range see Accessories chapter



KIT 2 HOOKS  
CHROMED

Art. nr. 5991990310303



TOWEL BAR  
CHROMED  
Width= 370 mm

Art. nr. 5991990310302

Applicable only for width  $\geq$  450 mm

Electrical resistors: Class 1

Minimum ingress protection: IP 44

Wire lenght: 1200 mm with Schuko plug

Power supply: 230Vac 50/60Hz

Seasonal energy efficiency  $\eta_s$ : 38% (with ECO digital thermostat)

### Packing:

Carton angular and profiles protected by a recyclable film in polyethylene. User notice included.

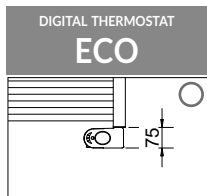
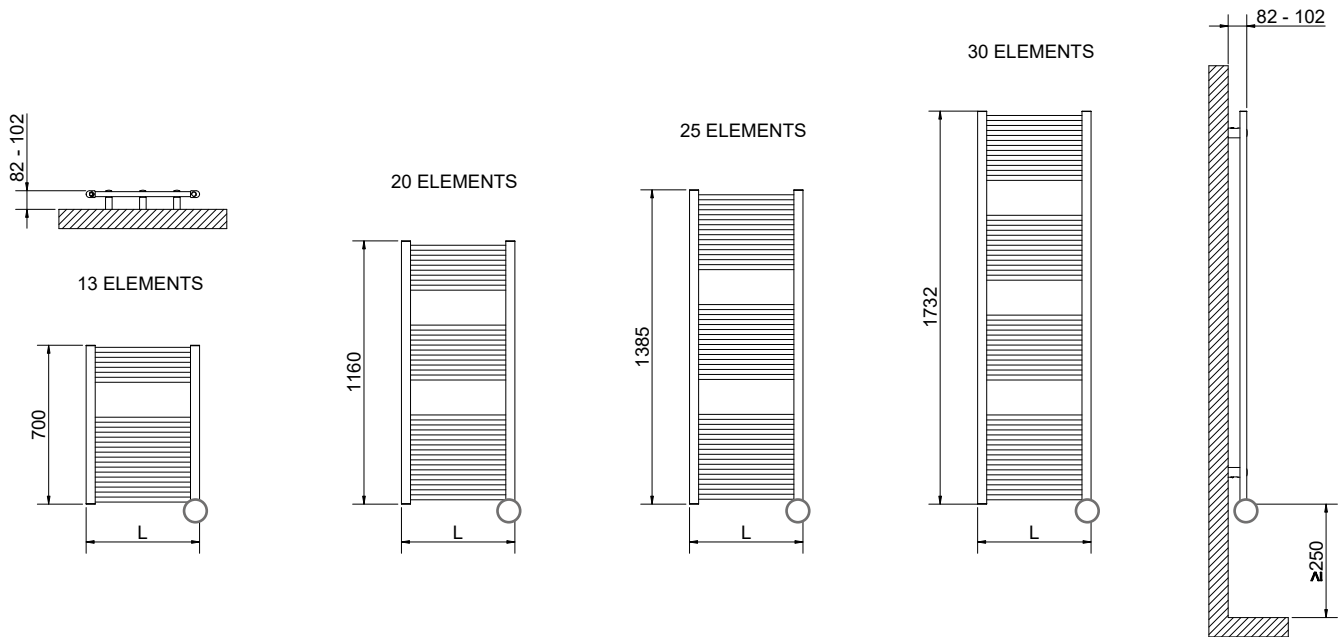
### Colour:

T01 matt black

### Electrical resistors:

- Black digital thermostat - Class 1 - IP44.

- 6 functioning modes: comfort, night, antifreeze, chrono, 2H timer and standby



The general footprint has to be calculated considering the thermostat height

### LISA 22 BLACK ELECTRIC - WITH ECO DIGITAL THERMOSTAT

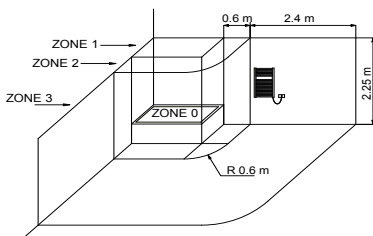
Colour T01 MATT BLACK

Height [mm]	Width L [mm]	Art. nr.	Output [Watt]	Weight [kg]
<b>700</b>	400	3581646100150	300	7,4
	500	3581646100151	400	8,4
<b>1160</b>	400	3581646100152	400	11,2
	450	3581646100153	500	11,9
<b>1385</b>	500	3581646100154	600	12,7
	400	3581646100155	500	13,4
<b>1732</b>	500	3581646100156	700	15,3
	500	3581646100157	900	18,4



All Cordivari electric radiators are in line with the new European regulation UE 2015/1188. The new regulation imposes a seasonal energy efficiency of electrical appliances for ambient heating with a nominal thermal output over 250 W and not less than 38%. Each of the ErP electric radiator is equipped with at least electronic temperature control, window opening detection and weekly programmer.

### HOW TO PLACE ELECTRIC RADIATORS



The national rules on installing electrical equipment in the bathroom must be scrupulously respected. The electric radiators must be always installed outside zone 1 and 2.

In particular the electric switch and control elements must be mandatorily located in zone 3, in order that no electrical control center is accessible to a anyone using the shower or bath.